

## DATA SHEET

### EVO Ø160-WLD 16.000 Lumen

STAINLESS STEEL AISI 316L  
ALUMINIUM 6082

The Sea Led Evolution Series is the upgrade of the line of underwater lights by the Cantalupi Group. It's designed to achieve first-class lighting performance and to ensure the safety of the boat.

The model EVO 160-WLD is provided with one cofferdam to be welded and trimmed to adjust it to the hull, in order to prevent any mistake when choosing the right inclination/cutting angle.

It can be disassembled from the inside to replace the lighting core.

3 different light cones are available.

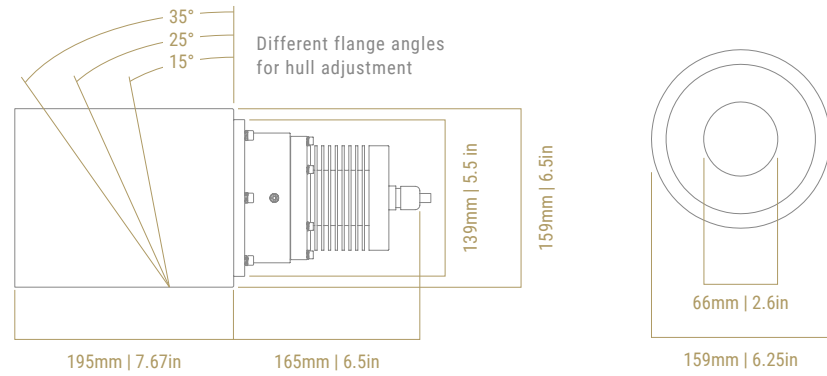


#### LIGHT TECHNICAL DATA

Power	96W
Current / Amp draw	2A @ 48Vdc
Fixture Lumens	16000 @ 70°
CCT	5700 K
Beam Angle (degrees)	wide 100° / medium 70° / narrow 35°
Power Supply	110-220VAC-48VDC
Dimming	DALI, DMX, MODBUS, (0-10)

#### FEATURES

Flange Material	<b>Stainless Steel</b> AISI316L <b>Aluminium</b> 6082
Width dimensions	Ø 159 mm / 6.26 in
Light dimensions	165 mm / 6.5 in
Heatsink	Aluminum 6082
Glass	Protective Tempered Clear Glass
Protection	Yes
Water Ingress Protection Rating	IP68
Light Cable Length	3mt / 9' 8" (Standard)



## STAINLESS STEEL AISI 316L

### FLANGE CODE

90 FLANG 160 WLD SS FRONT

### LIGHTING CORE

**Narrow Beam:** 90 SEALE WHITE 160 WLD SS NB

**Medium Beam:** 90 SEALE WHITE 160 WLD SS MB

**Wide Beam:** 90 SEALE WHITE 160 WLD SS WB

## ALUMINIUM 6082

### FLANGE CODE

90 FLANG 160 WLD AL FRONT

### LIGHTING CORE

**Narrow Beam:** 90 SEALE WHITE 160 WLD AL NB

**Medium Beam:** 90 SEALE WHITE 160 WLD AL MB

**Wide Beam:** 90 SEALE WHITE 160 WLD AL WB

## DRIVER

for select your driver  
choose on page: 66

## DIFFERENT BEAM SELECTION

